

WEBDYN SUN

The WebdynSun gateway is used to monitor and collect data from a solar plant installation. On a single unit, the gateway brings together all the indicators from inverters, electric meters and environmental sensors (sunshine intensity, temperature, wind speed, etc.).

INSTALLATION

- The first configuration is carried out via the pages of the embedded web server
- Once configuration is complete, periodic data collection can start automatically
- After synchronizing with the remote server, all configurations/actions can be carried out remotely: equipment, data server address, data format, collection frequency, etc.

OPERATION

- Data is formatted (CSV) and sent periodically through the mobile network or Ethernet to a federating server
- Triggering and transmission of alarms can be in real time depending on the status of the variables
- Reception on the WebdynSun gateway of control files from the central server enabling it to operate local actions
- Remote configuration and firmware updates
- Synchronization of all the gateway functions with the server via web services

STRONG POINTS

- Plug & play
- Up to 100 inverters monitored per gateway
- Compatible with inverters available on the market
- Very low consumption of data on mobile networks

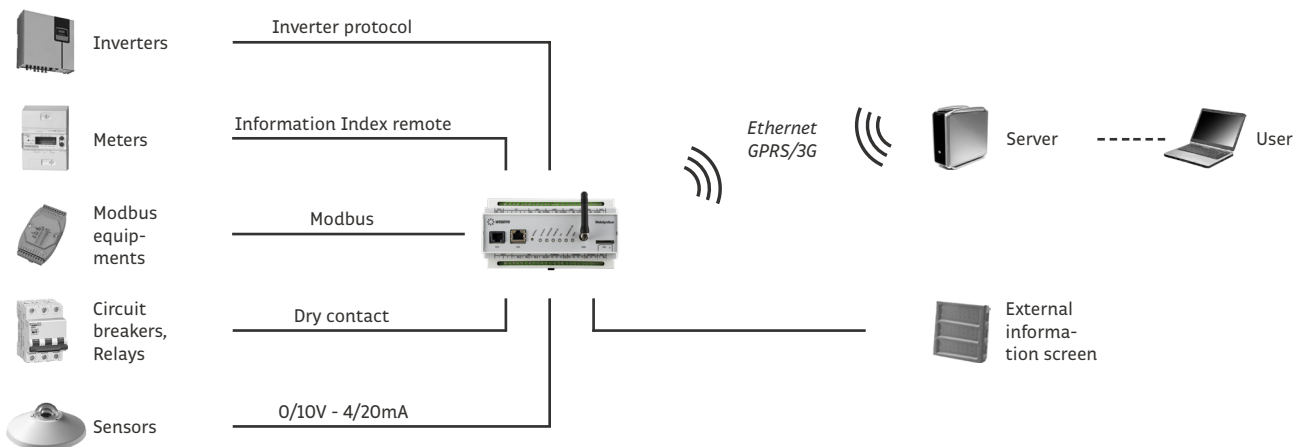
APPLICATIONS

- Real-time monitoring of electricity production
- Preventive and curative remote maintenance of the plant

BENEFITS

- Aggregation of the data and photovoltaic parameters at a single point
- Real-time supervision
- Optimization of electricity production efficiency

ARCHITECTURE



CHARACTERISTICS

TECHNICAL

- Serial interfaces: 1 RS485 port - 1 RS485/RS232 port
- Meter interfaces: 3 TIC meter (Télé Info Client) - 2 impulse inputs
- I/O GPIO interfaces: 4 0/10V-4/20mA analog inputs - 4 dry contact inputs - 2 dry contact outputs
- IP network interfaces: Ethernet: 10/100Mbps/s - GSM/GPRS/3G

GENERAL

- Power supply: [+12-24V] screw terminal
- T°: Operating: -5°C/+50°C
Storage: -20°C/+85°C
- Dimension: 157x86x59mm Rail Din
- Certification: EMI: EN55022 class B
CE : EN50082
- Power consumption: 4W maximum

MONITORING

- Inverters bus monitoring - up to 100 inverters
- 3 electrical meters monitoring with a TIC (Télé information Client) interface
- Sensors of period of sunshine and temperature monitoring
- Dry contact input (x4) / output (x2) monitoring
- Modbus bus (indicator, circuit breaker, .etc.) monitoring
- 2 impulse inputs, meter index

REFERENCES

PRODUCTS

- WG0508-A05 : WebdynSun Ethernet 2G/3G Europe
- WG0508-A06 : WebdynSun Ethernet 2G/3G World

ACCESSORIES

- AC0103-00 : Rail Din 24V power supply
- AC0201-01 : GPRS bi-bands deported antenna with 5m cable
- AC0201-03 : GPRS bi-bands deported antenna with 10m cable
- AC0201-02 : GPRS bi-bands deported antenna with 20m cable



FRANCE



26, RUE DES GAUDINES
78100 SAINT-GERMAIN-EN-LAYE



+33 1 39 04 29 40



CONTACT@WEBDYN.COM

INDIA



803-804, 8TH FLOOR, VISHWADEEP
BUILDING, DISTRICT CENTRE,
JANAKPURI, NEW DELHI, 110058



+91 11 41519011



CONTACT@WEBDYN.COM