

# MTX-OpticalProbe IEC

## Optical Probe for Data Communication

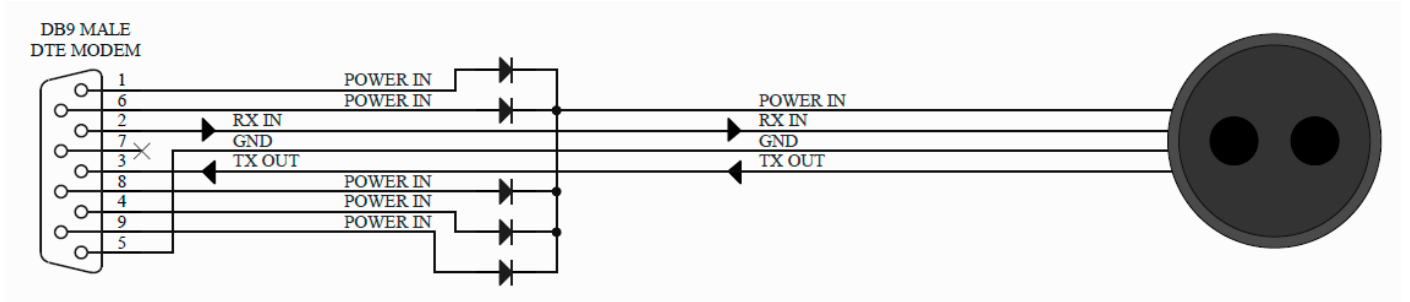
MTX-OpticalProbe is designed in accordance with the IEC 62056-21 standard and is compatible with all brands and types of IEC meters. The probe has a male DB9 interface for RS232 connection, so it can be easily used with all MTX devices that have a serial interface for Smart Metering Solutions.



## Features & Specifications

<b>Standard</b>	Fully compliant with IEC62056-21 (1107) standard, supporting dlms access application.
<b>Signal levels</b>	Compliant with EIA232 standard
<b>Power supply</b>	+3.3~5VDC, 15mA
<b>Transmitting</b>	38400bps in normal and 57600bps is available
<b>Connector</b>	DB9 male connector
<b>Fastening</b>	Magnetic adhesion
<b>Mechanical</b>	Impact ABS housing
<b>Our lead</b>	Straight-line outlet with 2M in length
<b>Environment</b>	Temperature in application: -10°C~65°C
<b>Pin-out</b>	Pin2-Rx; Pin3-Tx; Pin5-GND; Pin1, 4, 6, 8, 9 - Power in
<b>Remarks</b>	<ol style="list-style-type: none"> <li>Each of Pin1, 4, 6, 8, 9 can work as Power in to be compatible with different types of devices</li> <li>For each application only one of Pin1, 4, 6, 8, 9 can work as Power in</li> <li>Output schematic</li> </ol>

## DB9 Pinout



## Compatibilities

Device	HR	Tunnel version	COMM_POWER configuration	Compatibility
MTX-4G-T2	1.07	11.07	OFF	OK both Ports
MTX-4G-T2	1.07	11.07	ON	OK both Ports
MTX-3G-T2	1.07	11.07	OFF	OK only primary port
MTX-3G-T2	1.07	11.07	ON	OK only primary port
MTX-2G-T	1,07 FW 3	11,07	OFF	OK
MTX-2G-T	1,07 FW 3	11,07	ON	OK

## Warnings

- Keep away from any data card, credit card, etc. because of the magnetic in probe.

## References

- MTX-OpticalProbe-IEC-232-DB9M

000118001153