

SENS'POWER SUPPLY

24V DC POWER
REFERENCE AC0103-00-DR15



Application

Single output industrial DIN Rail Power Supply.

Features

- Ultra slim design with 17.5mm (1SU) width
- Universal input 85~264VAC
- No load power consumption <0.3W
- Pass LPS (Limited Power Source)
- DC output voltage adjustable

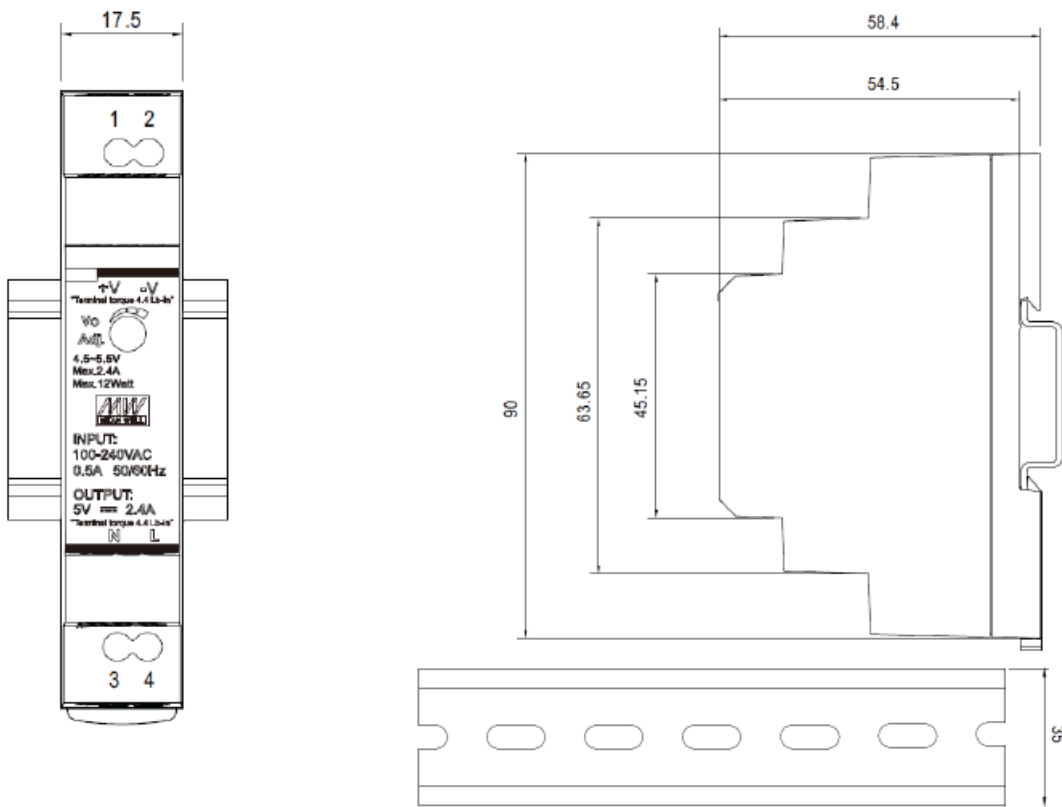
Specifications

Description	Power Supply
Output	Voltage: 24V Current range: 0~0.63A Rated range: 0.63A Rated power: 15.2W
Input	UAC voltage: 85 to 264 VAC Frequency range: 47 to 63 Hz
Protections	short circuit/overload/over voltage
Cooling	by free air convection
Working humidity	20~90% RH non-condensing
Working temperature	-30~+70°C
Storage temperature	-40~+85°C

Technical Characteristics

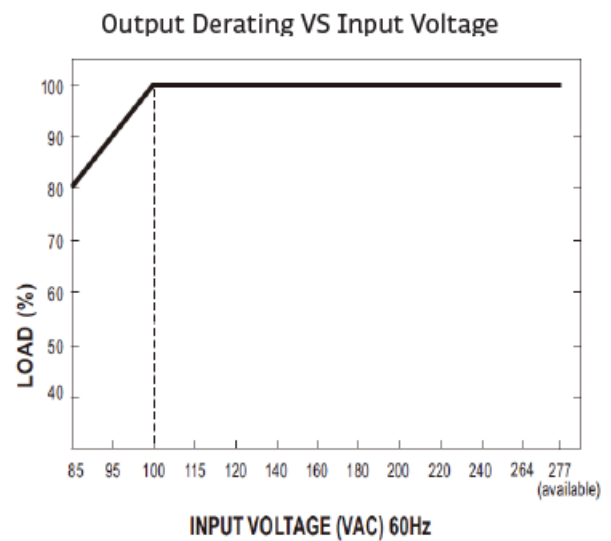
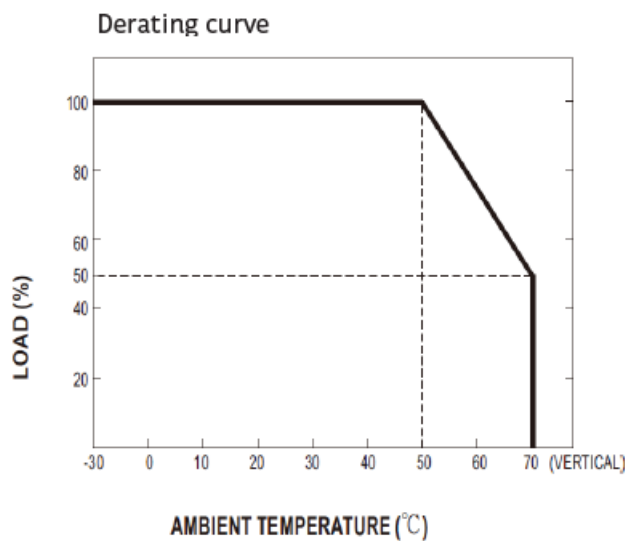
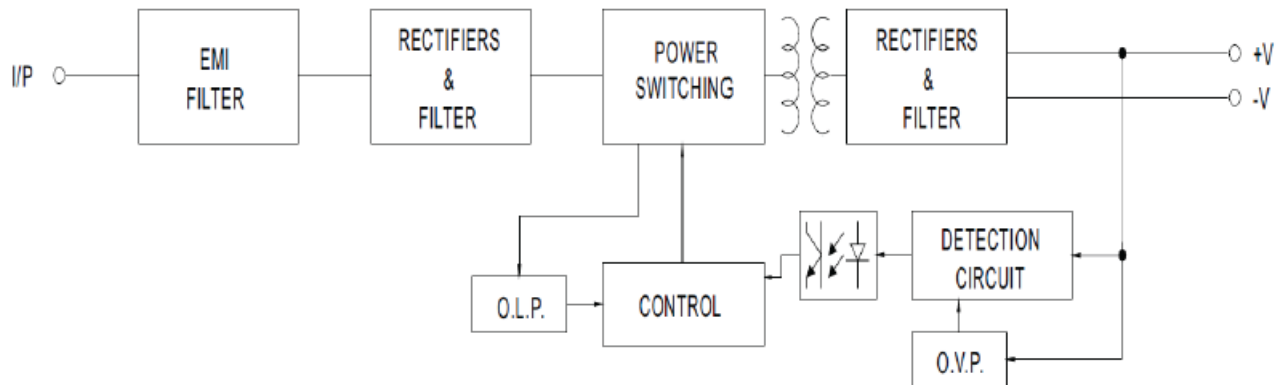
Description	Power Supply
Storage humidity	V10~95% RH non-condensing
Possible installation	can be installed on DIN Rail TS-35/7.5 or 15
Isolation	Class II
Indicator	LED indicator for power on
No load power consumption	<0.3W
Loan burn-in text	100% full
Dimension	17.5x90x54.5mm (WxHxD)

Dimensions



ADMISSIBLE DIN-RAIL : TS35/7.5 OR TS35/15

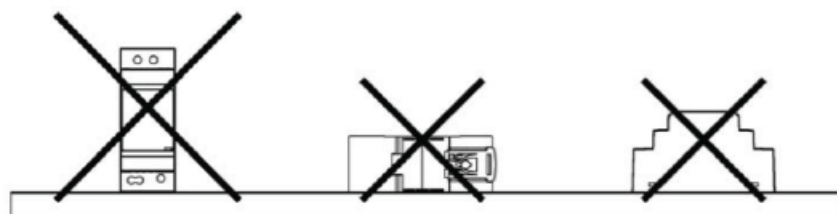
Block diagram



Installation

Always allow good ventilation clearances, 5mm left and right, 40mm above and 20mm below, around the unit in use to prevent it from overheating. Also a 10-15 cm clearance must be kept when the adjacent device is a heat source.

The appropriate mounting orientation for the unit is vertical, the input terminals at the bottom and output on the top. Mounting orientations other than that, such as upside down, horizontal, or table-top mounting, is not allowed.



Make sure that all strands of each stranded wire enter the terminal connection and the screw terminals are securely fixed to prevent poor contact. If the power supply possesses multi-output terminals, please make sure each contact is connected to wires to prevent too much current stress on a single contact.

Use wires that can withstand temperatures of at least 80°C, such as UL1007.

Recommended wire strapping length is 6mm (0.236").

Recommended screwdriver is 3mm, slotted type.

Mounting instructions

Mount as shown in figure only, with input terminals down, or else sufficient cooling will not be possible.
Admissible DIN rail: TS35/7.5 TS35/15

For rail fastening:



STEPS:

- 1- Tilt the unit slightly rearwards.
- 2- Fit the unit over top hat rail
- 3- Slide it downward until it hits the stop.
- 4- Press against the bottom for locking.
- 5- Shake the unit slightly to check the

