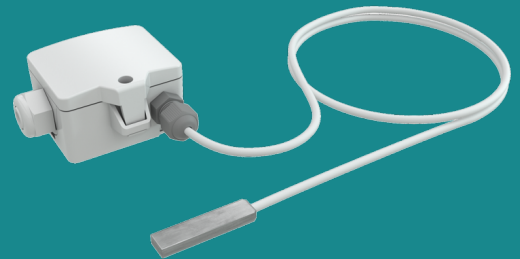


Sens' Temperature Sensor

Temperature contact and sensor

Reference AC1102-01



Application

Sensor for temperature measurement on glass surfaces or similar. Designed for control and monitoring applications.

Types Available

Contact sensors 0.. +50°C - 4..20 mA

Security Advice-Caution



The installation and assembly of electrical equipment should only be performed by authorized personnel. The product should only be used for the intended application. Unauthorised modifications are prohibited! The product must not be used in relation with any equipment that in case of a failure may threaten, directly or indirectly, human health or life or result in danger to human beings, animals or assets. Ensure all power is disconnected before installing. Do not connect to live/operating equipment.

Please comply with

- Local laws, health & safety regulations, technical standards and regulations
- Condition of the device at the time of installation, to ensure safe installation
- This data sheet and installation manual

Notes on disposal



As a component of a large-scale fixed installation, those products are intended to be used permanently as part of a building or a structure at a pre-defined and dedicated location, hence the Waste Electrical and Electronic Act (WEEE) is not applicable.

However, most of the products may contain valuable materials that should be recycled and not disposed of as domestic waste. Please note the relevant regulations for local disposal.

Build-up of self-heating by electrical dissipative power

Temperature sensors with electronic components always have a dissipative power, which affects the temperature measurement of the ambient air. The dissipation in active temperature sensors shows a linear increase with rising operating voltage. This dissipative power has to be considered when measuring temperature.

In case of a fixed operating voltage ($\pm 0,2$ V) this is normally done by adding or reducing a constant offset value.

Transducers work with a variable operating voltage, only one operating voltage can be taken into consideration, for reasons of production engineering. Transducers 0..10 V / 4..20 mA have a standard setting at an operating voltage of 24 V =.

That means, that at this voltage, the expected measuring error of the output signal will be the least.

For other operating voltages, the offset error will be increased by a changing power loss of the sensor electronics.

Remark: Occurring draft leads to a better carrying-off of dissipative power at the sensor. Thus temporally limited

fluctuations might occur upon temperature measurement.

Technical characteristics

Descripton	Contact temperature sensor
Output ampere	Output ampere 1x 4..20 mA, max. load 500 Ω
Power supply	15..24V
Output signal range temperature	0 to +50°C
Accuracy temperature	$\pm 0,5^\circ\text{C}$ (typ. at 21 °C within default measuring range)
Protection	IP65 according to EN 60529
Cable entry	Flextherm M16, for wire $\varnothing=3..7$ mm, removable
Electrical connection	removable plug-in terminal, max. 2,5 mm ²
Ambient condition	max. 85% rH

Mounting advices

This sensor is e.g. glued on the inside of windows to detect the internal pane temperature and to regulate the climate so that no condensation occurs. For use on flat surfaces, the acrylic adhesive is applied to the sensor surface (double-sided adhesive tape with protective foil).

Connection Plan

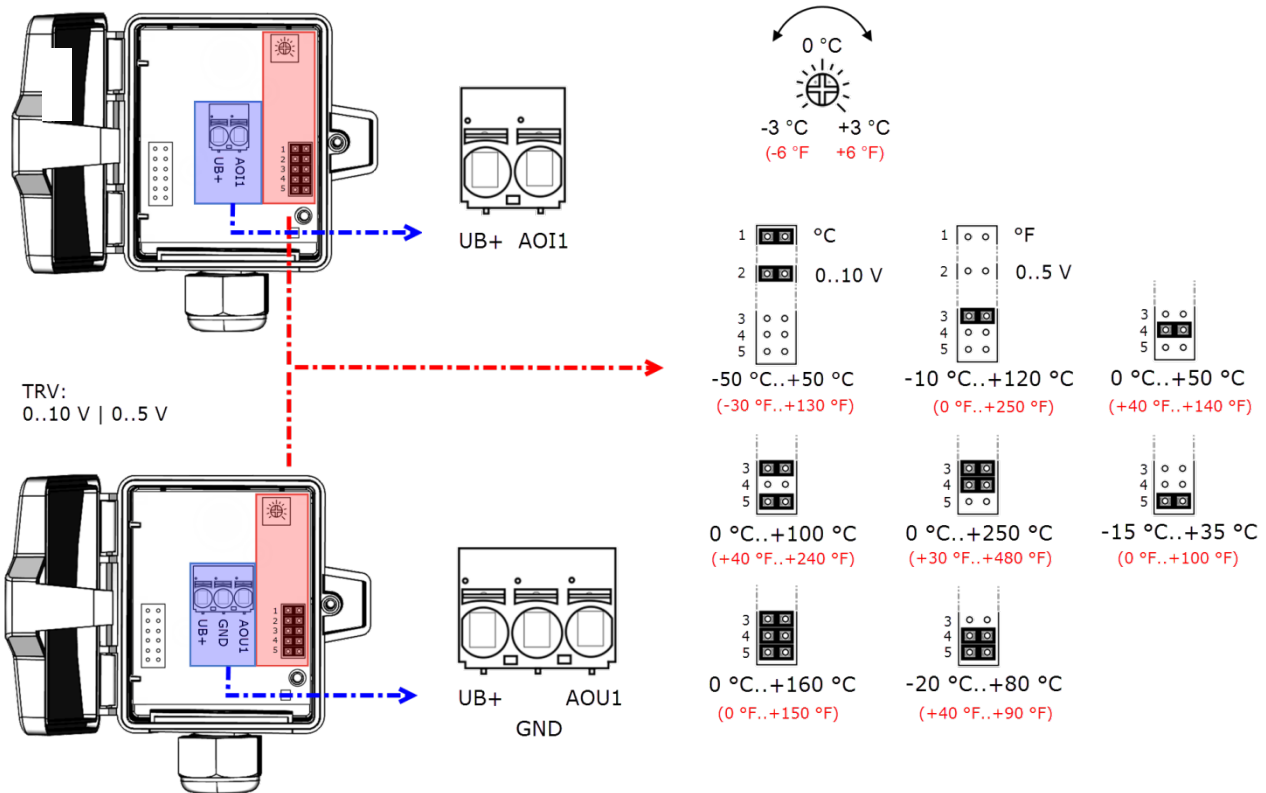
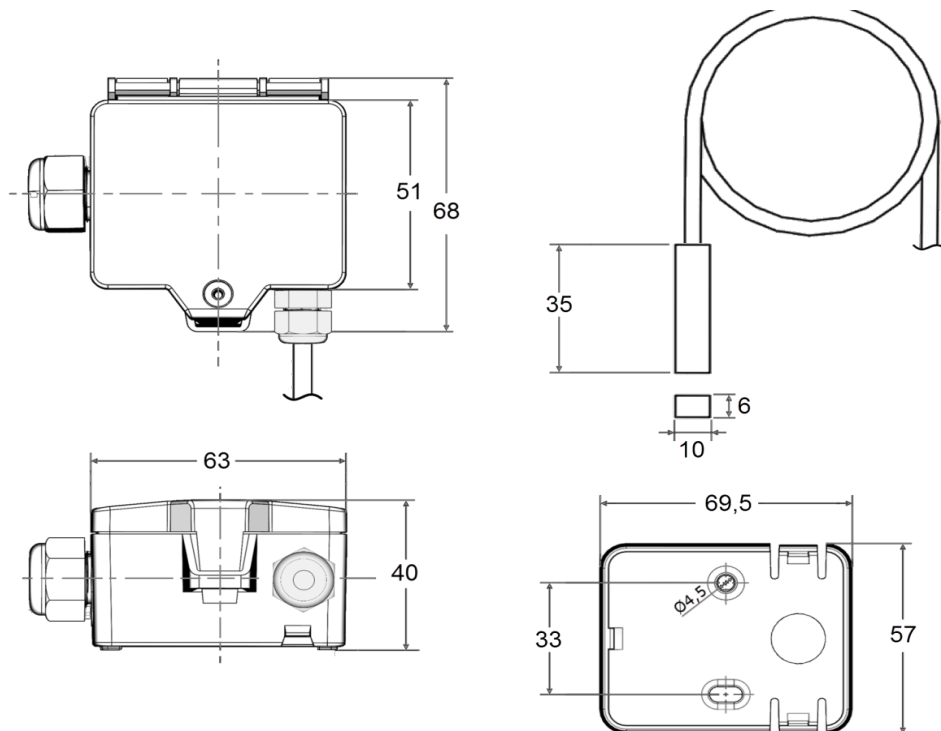


fig. (Measuring range and offset adjustment, default settings: 0°C..+50°C | 0 K)

Mounting Instructions



The equipment may vary from the description in this document. Webdyn reserves the right to make changes to the product(s) and or information contained herein without notice. This document may not be considered as a contract specification.